

5X 5MP Smart Light IP Camera

BMMBKL5R-X5



- Built-in Mic
- WDR
- With Internal POE
- 2.7-13.5mm(F1.6) Motor Zoom & Auto Focus Lens
- Illegal Parking(based on vehicle shape)
- Heat Map



Camera

Image Sensor	1/2.8" SONY Starvis Back-illuminated CMOS Sensor
Resolution	5MP
Effective Pixels	2616(H)*1964(V)
Compression	H.264/H.264+/H.265/H.265+
Audio Compression	G711A/U,AAC,MP2L2
TV System	PAL/NTSC
Electronic Shutter Time	Auto: 1/3-1/100000Sec
Minimum Illumination	Color: 0.003 Lux@(F1.6, AGC ON), B/W: 0 Lux with IR
S/N Ratio	60dB
Scanning System	Progressive
Video Output	Network
Reset Button	Optional

Lens

Focal Length & FOV	F1.6~F3.3, horizontal FOV 98~28°, vertical FOV 71~21°, diagonal FOV 133~35°
Lens Type	2.7~13.5mm
Focus Control	Auto Control
Aperture	F1.6~F3.3
Pixels	AF-5MP

Night Vision

Supplement Light	4PCS
Supplement Light Distance	50M
Supplement Light Status	Auto Control
Supplement Light Power On	Smart, Manual & Timed mode

Network

Ethernet	RJ-45 (10/100Base-T)
Wireless	N/A
Protocol	TCP/IP, IPv4/v6, ICMP, HTTP, HTTPS, FTP, DHCP, DNS, DDNS, RTP, RTSP, RTMP, RTCP, PPPoE, NTP, SMTP, UDP, SNMP, Qos, 802.1x
ONVIF	Support ONVIF 24.12(Profile S/T/G/M)
P2P	YES
POE	Internal, Support IEEE 802.3af
Video Delay	300ms (Within the Lan)
Main Stream 1	2592*1944@30fps
Main Stream 2	2560*1440@30fps
Main Stream 3	1920*1080@30fps 1280*720@30fps
Sub Stream 1	1280*720@30fps
Sub Stream 2	720*480@30fps
Sub Stream 3	N/A

Tri Stream	N/A
IE Brower	Microsoft Edge, IE11, Google Chrome, Firefox, Mac Safari
Smart Phone	iPhone, Android

AI Function

Intelligent Analysis	Intrusion Detection/Line Crossing Detection/Enter Area Detection/Leave Area Detection/Line Crossing Count(based on human and vehicle detection), Loitering Detection/People Gathering Detection(based on human detection), Motion Detection(supports the detection based on human and vehicle movement), Illegal Parking(based on vehicle shape), Heat Map
----------------------	--

Camera Features

Day/Night	Color/ B&W (IR-CUT)
Image Config	Saturation/Brightness/Contrast /Sharpness, Mirror, 3D NR , White Balance, Anti Flicker, Video Tampering, HLC, Scene Change Detection
Full Color	N/A
Corridor Pattern	Support
Defog Mode	N/A
ROI	Support
BLC	Support
WDR	120dB
Motion Detection	Support(support enable the detection based on human and Vehicle movement)
Privacy Masking	3 Rectangular Zone
Recording Mode	NVR/CMS/Web
Language	Chinese Simplified, Chinese Traditional, English, Korean, Polish, French, Japanese, Spanish, Portuguese, Italian, Hebrew, Ukrainian, Arabic, Vietnamese, Thai, Hungarian, Czech

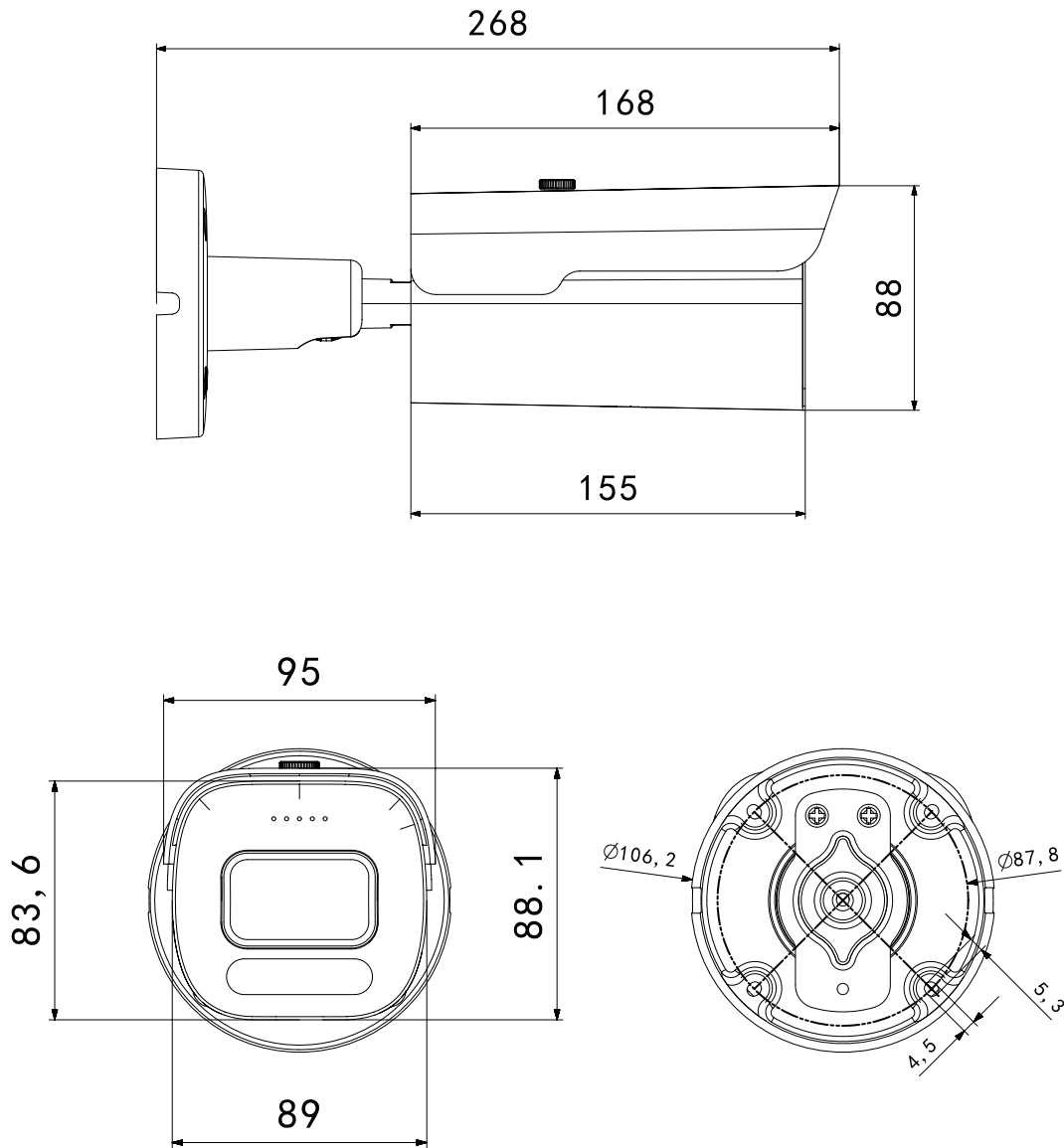
Interface

Audio	Default: Built in Mic Option: Audio I/O
Alarm	Default: Without Option: Alarm I/O
SD Card Slot	Default: Without Option: External SD card slot (Max 512GB)
RS485	N/A

General

Housing	Cover:Plastic Main Body:Metal, IP67
Anti-cut Bracket	NO
IR Cut Filter	YES
Operation Temperature	-30℃ ~ +60℃ RH95% Max
Storage Temperature	-30℃ ~ +60℃ RH95% Max
Power Source	DC12V±10%, 950mA
Dimension	268(W) x 95(H) x 88(D)mm
Weight (N.W./G.W.)	Approx. 1200 g / Approx. 1320 g

Dimensions (mm)



Optional Accessories



B320
Junction BOX